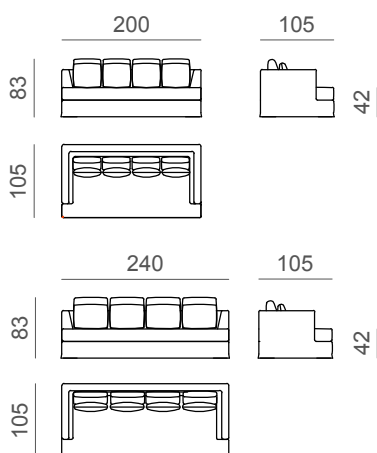


BRANDO sofa

Width:	L200 - 240
Height:	H83
Depth:	P105
Weight:	110kg - 130kg / 243 lb - 287 lb
Structure:	Plywood frame. Feet available in wooden finish
Covering:	Fabric or Leather
Notes:	Sofa with non removable covering



Technical drawing



COM requirement L200
fabric: 19,5 linear meters
leather: 43 square meters

COM requirement L240
fabric: 23 linear meters
leather: 49 square meters



Decorative pillow
 L54 x H30
fabric: 0.8 linear meters
leather: 2 square meters



Email:
 info@oasisgroup.it
 Fax:
 0434/654850
 Telephone number:
 0434/654752

Model			Size	Description	Item ref 5HMSBA2__	
HOME					A4	BRANDO
Draftsman	Check	Date	Scale	sofa	Date of final approval	TECHNICAL OFFICE