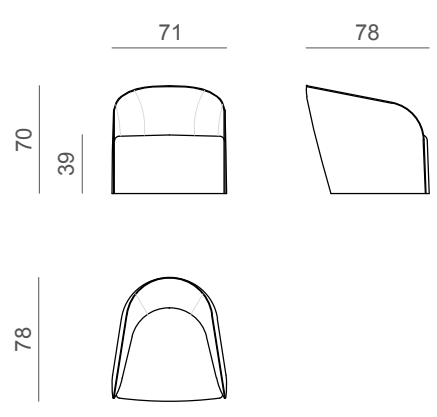


FEBE armchair

- Width:** L71
- Height:** H70
- Depth:** P78
- Weight:** 15kg - 33lb
- Structure:** Wooden frame
- Covering:** Fabric or Leather
- Notes:** Armchair with removable covering.
Optional decorative pillow.



Technical drawing



COM requirement
fabric: 4 linear meters
leather: 6 square meters

Decorative pillow
 L33 x H22
fabric: 0.8 linear meters
leather: 2 square meters

		Email: info@oasisgroup.it						
		Fax: 0434/654850						
		Telephone number: 0434/654752						
Model HOME			Size A4	Description FEBE			Item ref 5HMSAFEB_	
Draftsman	Check	Date	Scale	armchair			Drawing ref	
							Date of final approval	TECHNICAL OFFICE