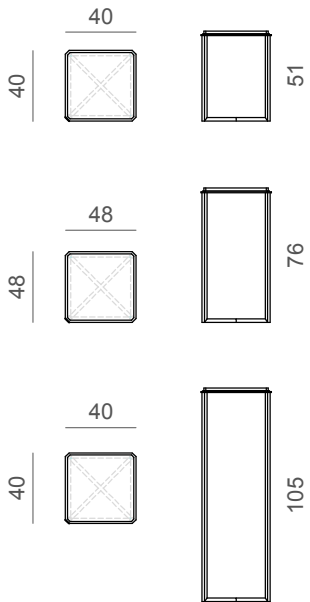


KENT small table

- Width:** L38
Height: H51 - 76 - 105
Depth: P38
Weight: 9kg - 11kg - 13kg / 20lb - 24lb - 28,6lb
Structure: Metal frame available in chrome, bronze or gold finish.
Notes: Wooden top available in wood finish or matt/glossy lacquered.
 Marble top available in 4 options: Bianco Statuario, Emperador Light, Nero Marquinia and Calacatta oro.



Technical drawing



	Email: info@oasisgroup.it		.	.	.		
	Fax: 0434/654850		.	.	.		
	Telephone number: 0434/654752		.	.	.		
	0434/654752		.	.	.		
Model HOME			Size A4	Description KENT small table		Item ref 5HMTS_____	
Draftsman	Check	Date	Scale			Drawing ref	
Martin S.	Santin S.	12/05/16	.			Date of final approval	TECHNICAL OFFICE