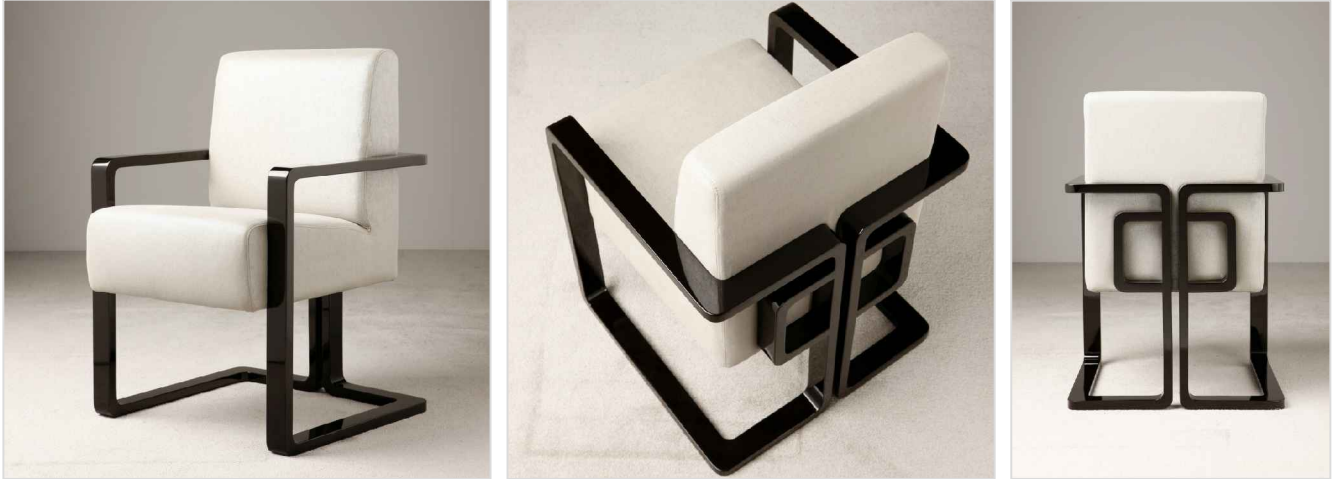
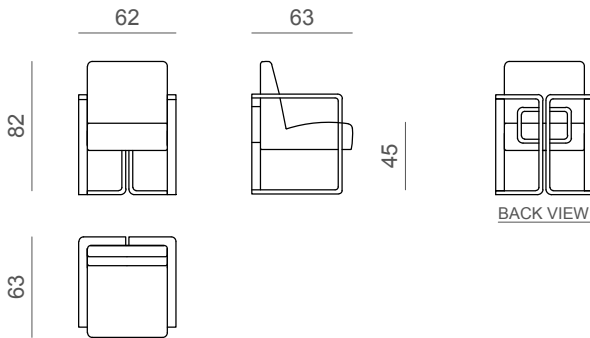


MATISSE chair


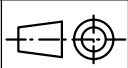
- Width:** L62
- Height:** H82
- Depth:** P63
- Weight:** 16kg - 35lb
- Structure:** Wooden frame available in wooden finish or matt /glossy lacquer
- Covering:** Fabric or Leather
- Notes:** Armchair with non-removable covering



Technical drawing



COM requirement
fabric: 2 linear meters
leather: 4 square meters

	Email: info@oasisgroup.it		.	.	.		
	Fax: 0434/654850		.	.	.		
	Telephone number: 0434/654752		.	.	.		
			.	.	.		
Model HOME			Size A4	Description MATISSE chair		Item ref 5HMSAMASE_	
Draftsman	Check	Date	Scale			Drawing ref	
Martin S.	Santin S.	28/04/16	.			Date of final approval	TECHNICAL OFFICE