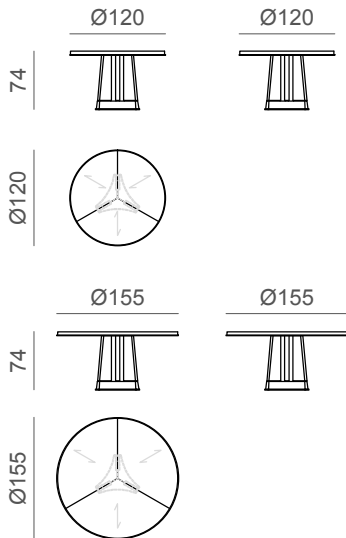


MURAT table

- Width:** Ø120 - 155
Height: H74
Depth: Ø120 - 155
Weight: 61kg - 73kg -/ 164,4lb - 161lb
Structure: Wooden structure available in wooden finish, matt or glossy lacquer
Notes: For lacquered version a protection glass top in the same color of the table is provided.



Technical drawing



		Email: info@oasisgroup.it		.	.	.
		Fax: 0434/654850		.	.	.
		Telephone number: 0434/654752		.	.	.
				.	.	.
Model HOME			Size A4	Description MURAT round table		Item ref 5HMTM1 __
Draftsman Martin S.	Check Santin S.		Date 12/05/16	Scale	Drawing ref	
				Date of final approval		TECHNICAL OFFICE