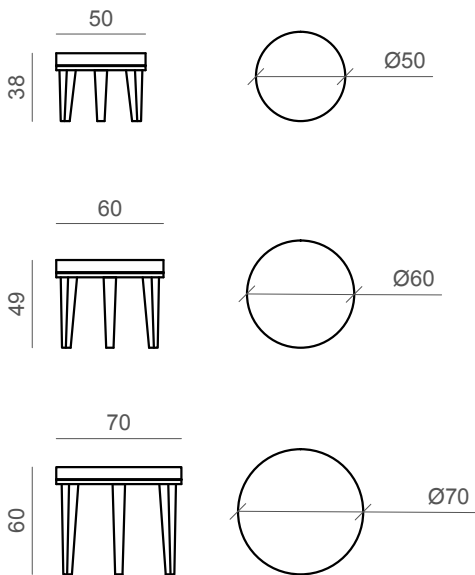


TAM TAM DELUXE small table

- Width:** Ø50 - 60 - 70
Height: H38 - 49 - 60
Depth: Ø50 - 60 - 70
Weight: 18kg - 21kg - 29kg / 40lb - 46lb - 64lb
Structure: Wooden structure available in wood finish, matt or glossy lacquer.
Notes: Wooden top covered in leather



Technical drawing



Customer's own fabric
leather: 1 square meters

	Email: info@oasisgroup.it		.	.	.	
	Fax: 0434/654850		.	.	.	
	Telephone number: 0434/654752		.	.	.	
	0434/654752		.	.	.	
Model HOME			Size A4	Description TAM TAM DELUXE small table		Item ref 5HMTCO_ _ _ _
Draftsman	Check	Date	Scale			Drawing ref
Martin S.	Santin S.	25/05/16	.			Date of final approval
						TECHNICAL OFFICE