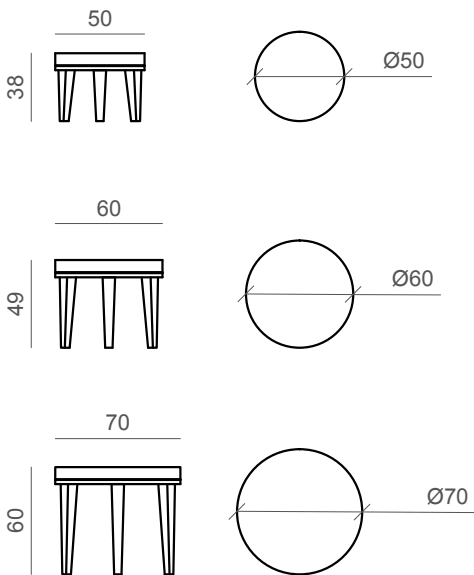


TAM TAM small table

- Width:** Ø50 - 60 - 70
Height: H38 - 49 - 60
Depth: Ø50 - 60 - 70
Weight: 18kg - 21kg - 29kg / 40lb - 46lb - 64lb
Structure: Wooden structure available in wooden finish, matt or glossy lacquer.



Technical drawing



	Email: info@oasisgroup.it		.	.	.
	Fax: 0434/654850		.	.	.
	Telephone number: 0434/654752		.	.	.
	0434/654752		.	.	.
Model		Size	Description		Item ref
HOME		A4	TAM TAM small table		5HMTCO_ _ _ _
Draftsman	Check	Date	Scale	Drawing ref	
Martin S.	Santin S.	25/05/16	.	Date of final approval	TECHNICAL OFFICE