

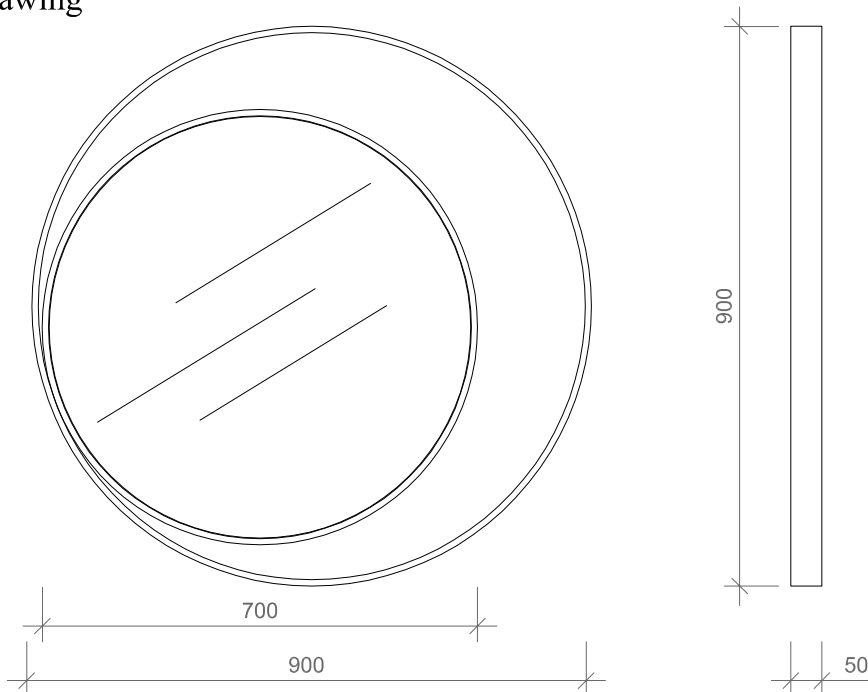
ECLISSE mirror double version


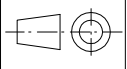
Width: 900
Height: 900
Depth: 50

Structure: Wooden frame available in antique gold or matt/glossy lacquer
Notes: double version



Technical drawing



	Email: info@oasisgroup.it		.	.	.
	Fax: 0434/654850		.	.	.
	Telephone number: 0434/654752		.	.	.
			.	.	.
Model		Size	Description		Item ref
ECLISSE		A4	mirror, double version		Drawing ref
Draftsman	Check	Date	Scale	Date of final approval	TECHNICAL OFFICE
Padovan M.		10/05/17	.	.	