

# ECLISSE mirror triple version

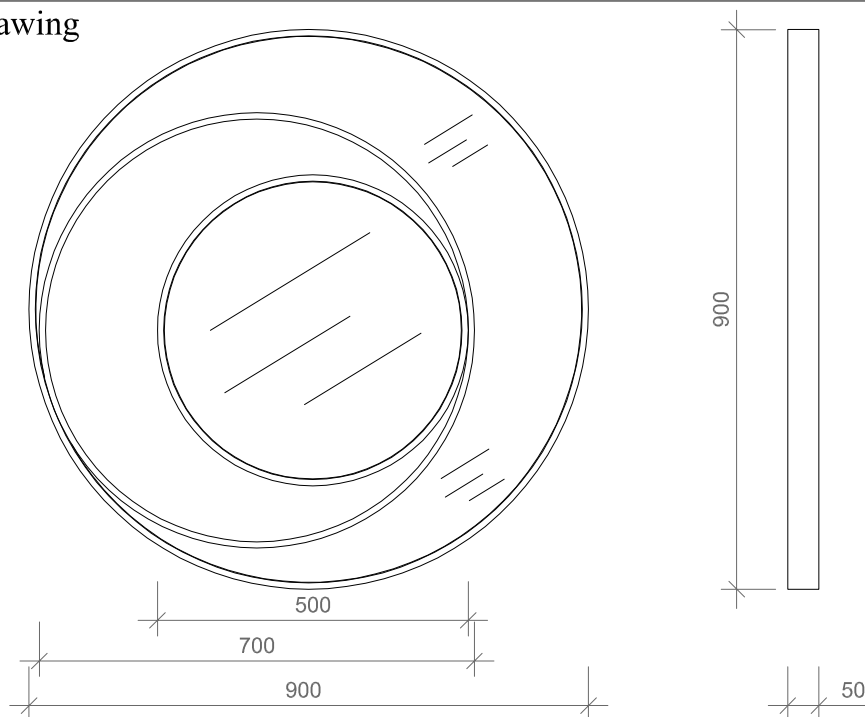
**Width:** 900  
**Height:** 900  
**Depth:** 50


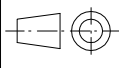
**Structure:** Wooden frame available in antique gold or matt/glossy lacquer

**Notes:** triple version with decorative bronzed mirror



## Technical drawing



	<b>Email:</b> info@oasisgroup.it		. . . . .	. . . . .		
	<b>Fax:</b> 0434/654850					
	<b>Telephone number:</b> 0434/654752					
Model <b>ECLISSE</b>			Size A4	Description <b>mirror, triple version</b>	Item ref	
Draftsman Padovan M.	Check	Date 10/05/17	Scale		Drawing ref	
					Date of final approval	TECHNICAL OFFICE