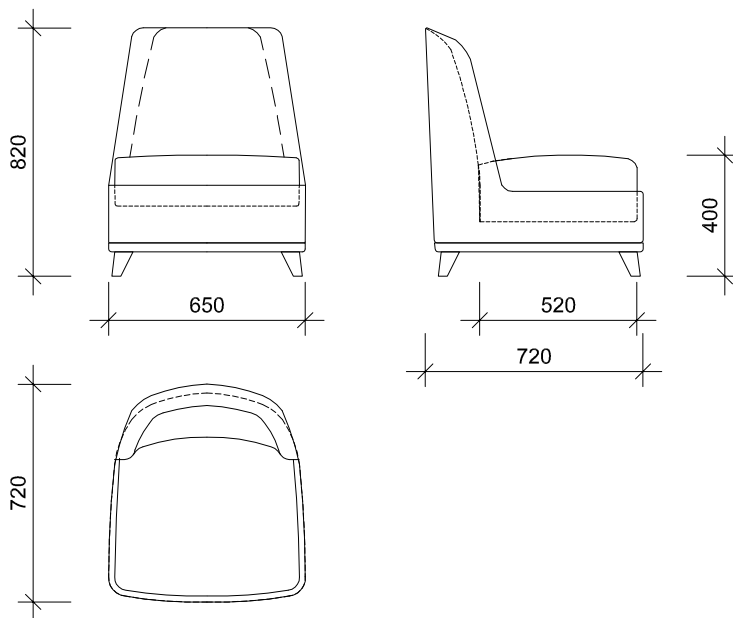


# EVELYNE armchair

- Width:** 650
- Height:** 820
- Depth:** 720
- Weight:** 24 kg - 53 lb each
- Structure:** Wooden frame available in wooden finish or matt/glossy lacquer
- Covering:** Fabric or Leather
- Notes:** Armchair with non-removable covering



## Technical drawing

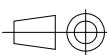


Email:  
info@oasisgroup.it

Phone number:  
0434/654752

### REVISION

.	.	.
.	.	.

Description Armchair	Collection <b>EVELYNE</b>		Foglio A4
.	Draftsman Padovan M.	Item ref	Scale
.	.	Date 04/05/17	.