

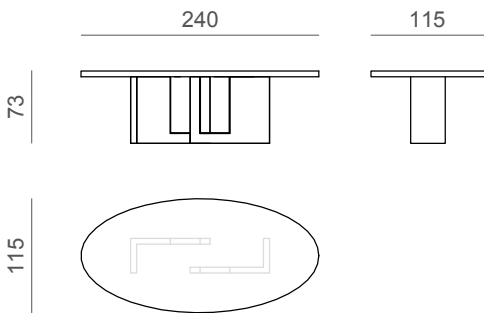
# TAO oval table

**Width:** L240  
**Height:** H73  
**Depth:** P115  
**Weight:** 143kg - 315,2lb  
**Structure:** Wooden structure available in wooden finish or matt/glossy lacquer

**Notes:** For lacquered versions a protection glass top in the same color of the table is provided. Base available with or without metal profiles in chrome, bronze or gold finish.



## Technical drawing



		Email:		.	.	.
		info@oasisgroup.it		.	.	.
		Fax:		.	.	.
		0434/654850		.	.	.
Telephone number:						.
0434/654752						.
Model			Size	Description		Item ref
HOME			A4	TAO		5HMTT245_
Draftsman	Check	Date	Scale	oval table		Drawing ref
Martin S.	Santin S.	12/05/16	.			Date of final approval
						TECHNICAL OFFICE